

NOTES: MATERIAL & FINISH
 1. INSULATOR: HIGH-TEMP THERMOPLASTIC, UL94V-0
 COLOR: BLACK OR NATURE
 2. CONTACT: COPPER ALLOY
 PLATING: CONTACT AREA GOLD FLASH AND SOLDER AREA TIN
 OR GOLD FLASH OVERALL NICKEL UNDER PLATED

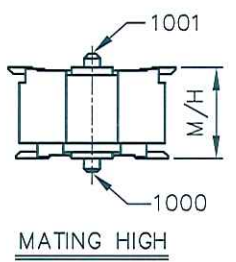
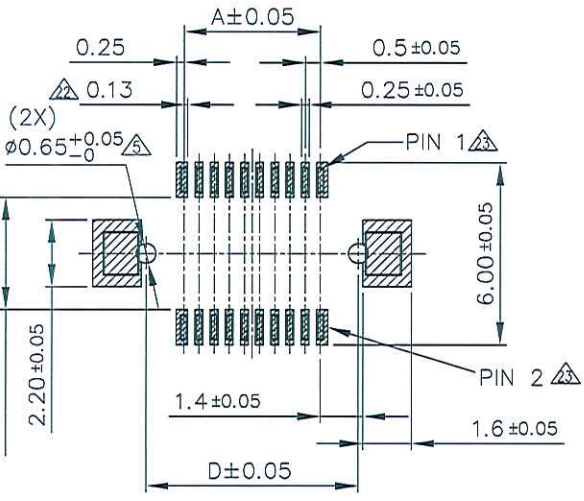
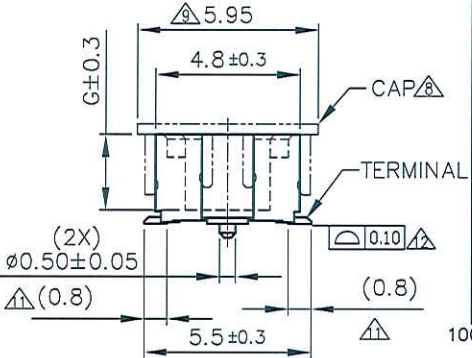
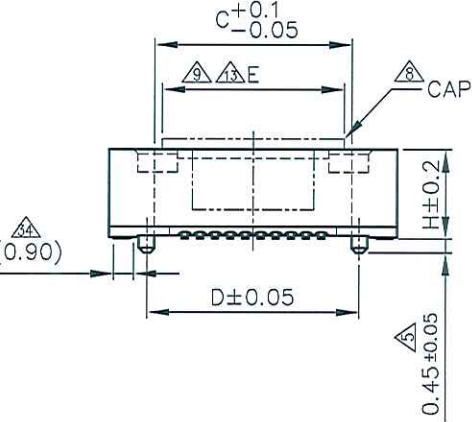
ORDER INFORMATION: 1001K-X XX X-01~0A,0C,22,28 X

PACKING: E: TUBE
 R: PLASTIC REEL
 L: AL: PAPER REEL
 TYPE: BLACK: 01~09,0A,0C TYPE
 NATURE: 22, TYPE

E: POST AND FITTING NAIL
 L: POST
 N: NO POST, NO FITTING NAIL
 F: FITTING NAIL
 C: E ADD CAP (WHITE CAP)
 T: E ADD CAP (BLACK CAP)
 V: F ADD CAP (WHITE CAP FOR 05TYPE)
 (BLACK CAP FOR 01,03TYPE)
 R: N ADD CAP (BLACK CAP FOR 04&08TYPE)
 PIN: 10~98, A0=100, B0=110, C0=120
 D0=130, E0=140, F0=150, G0=160

PLATING:
 F: GOLD FLASH (01~X8, 22TYPE)
 B: CONTACT AREA GOLD FLASH, SOLDER AREA TIN
 (04~09, 0A TYPE)
 E: TIN (01~09, 0A, 0C TYPE)
 Q: MATTE-TIN (01~09, 0A TYPE)
 J: GOLD 10u" (MIN) (01~08, 22TYPE)
 Y: GOLD FLASH (WITH NICKEL BARRIER)
 (04~06 TYPE)
 K: CONTACT AREA 30u" (MIN) GOLD
 SOLDER AREA GOLD FLASH

1001K: 0.5 BOARD TO BOARD SMT V/T TYPE FEMALE
 (HALOGEN FREE)



ENTERY INDUSTRIAL CO., LTD.
 SEP 24 2014
 R&D D.C.C. ISSUED



M/H	MALE	FEMAL	G	H	PIN NO.	A	B	C	D
2.0	01	01	1.2	1.50	10	2.0	7.0	4.0	4.5
2.5	X2	X2	1.5	2.00	12	2.5	7.5	4.5	5.0
3.0		03	2.0	2.50	14	3.0	8.0	5.0	5.5
3.5		03	2.0	2.50	16	3.5	8.5	5.5	6.0
4.0		04	2.5	3.00	18	4.0	9.0	6.0	6.5
4.5		0C	3.0	3.50	20	4.5	9.5	6.5	7.0
5.0		05		4.00	22	5.0	10.0	7.0	7.5
6.0	04	06		5.00	24	5.5	10.5	7.5	8.0
7.0		07	3.5	6.00	26	6.0	11.0	8.0	8.5
8.0		08,28		7.00	28	6.5	11.5	8.5	9.0
9.0		09		8.00	30	7.0	12.0	9.0	9.5
10.0		0A		9.00	32	7.5	12.5	9.5	10.0
4.5		04	2.5	3.00	34	8.0	13.0	10.0	10.5
5.5		05		4.00	36	8.5	13.5	10.5	11.0
6.5		06		5.00	38	9.0	14.0	11.0	11.5
7.5	05	07		6.00	40	9.5	14.5	11.5	12.0
8.5		08,28		7.00	42	10.0	15.0	12.0	12.5
9.5		09		8.00	44	10.5	15.5	12.5	13.0
10.5		0A		9.00	46	11.0	16.0	13.0	13.5
12.0		06	3.5	5.00	48	11.5	16.5	13.5	14.0
13.0		07		6.00	50	12.0	17.0	14.0	14.5
14.0	06	08,28		7.00	52	12.5	17.5	14.5	15.0
15.0		09		8.00	54	13.0	18.0	15.0	15.5
16.0		0A		9.00	56	13.5	18.5	15.5	16.0
12.5		06		5.00	58	14.0	19.0	16.0	16.5
13.5	07	07		6.00	60	14.5	19.5	16.5	17.0
14.5		08,28		7.00	62	15.0	20.0	17.0	17.5
15.5		09		8.00	64	15.5	20.5	17.5	18.0
16.5		0A		9.00	66	16.0	21.0	18.0	18.5
					68	16.5	21.5	18.5	19.0
					70	17.0	22.0	19.0	19.5
					72	17.5	22.5	19.5	20.0
					74	18.0	23.0	20.0	20.5
					76	18.5	23.5	20.5	21.0
					78	19.0	24.0	21.0	21.5
					80	19.5	24.5	21.5	22.0
					82	20.0	25.0	22.0	22.5
					84	20.5	25.5	22.5	23.0
					86	21.0	26.0	23.0	23.5
					88	21.5	26.5	23.5	24.0
					90	22.0	27.0	24.0	24.5
					92	22.5	27.5	24.5	25.0
					94	23.0	28.0	25.0	25.5
					96	23.5	28.5	25.5	26.0
					98	24.0	29.0	26.0	26.5
					A0	24.5	29.5	26.5	27.0
					B0	27.0	32.0	29.0	29.5
					C0	29.5	34.5	31.5	32.0
					D0	32.0	37.0	34.0	34.5
					E0	34.5	39.5	36.5	37.0
					F0	37.0	42.0	39.0	39.5
					G0	38.5	44.5	41.5	42.0

CAP OPTION	
E	PIN NO.
6.0	10~30 PIN
8.0	32~G0 PIN

CUSTOMER		恩得利工業股份有限公司 E & T ENTERY INDUSTRIAL CO., LTD.	
RE201408013	Jun0	08/21/14	GENERAL TOLERANCE UNLESS OTHERWISE SPECIFIED
RE201401007	JOSH	04/01/14	X.X ±0.25
REN131010	Jun0	10/28/13	X.XX ±0.13
RE201212018	MAX	12/27/12	X.XXX ANG. ±0.30'
RE201206014	JIMMY	11/08/12	
RE201210002	JIMMY	09/20/12	
RE201209018	JIMMY	09/20/12	
SER	REVISIONS	CHK	DATE

DRAWN ALLEN OCT-15-2004
 CHECKED
 APPROVED
 SHEET 1/1

PART NO. 1001K-XXXX-01~0A,0C,22,28X
 TITLE: 0.5 BOARD TO BOARD SMT V/T TYPE FEMALE
 UNIT SCALE SIZE REV MM 1:1 A4 AK