

NOTES: MATERIAL & FINISH

△1.HOUSING: HIGH-TEMPERATURE THERMOPLASTIC, UL94V-0  
COLOR: NATURE

2.CONTACT: COPPER ALLOY

PLATING: GOLD FLASH OR TIN OVER ALL 50~100u"

NICKEL UNDER PLATED

△ORDER INFORMATION: 1133K - X XX X - 01~03 X

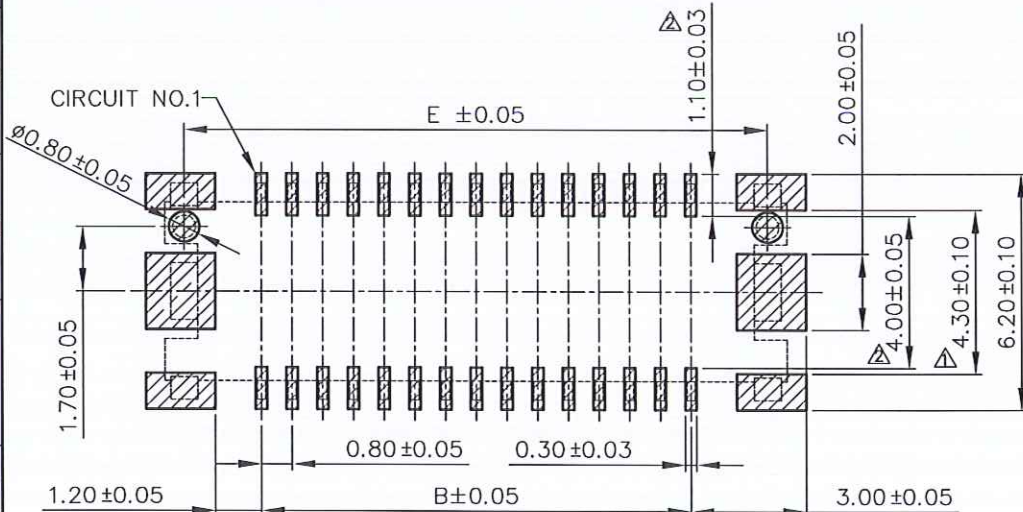
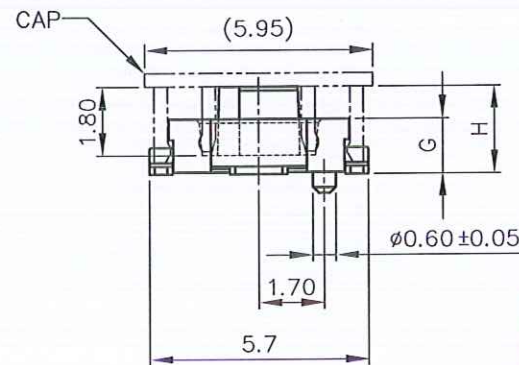
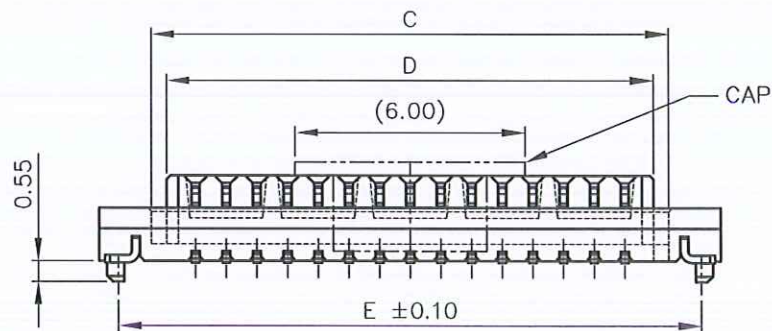
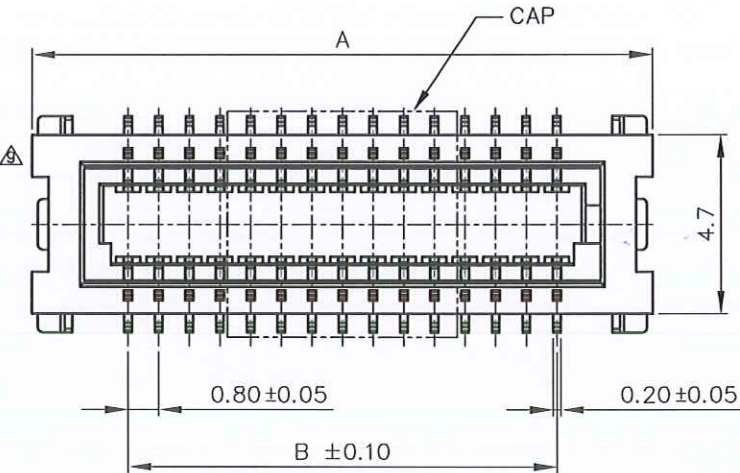
PACKING: E: TUBE  
R: PLATIC REEL  
△L: PAPER REEL

E: POST AND FITTING NAIL  
C: E ADD CAP  
F: FITTING NAIL

PLATING:  
E: TIN  
Q: MATTE-TIN  
△F: GOLD FLASH

△1133K: 0.8 BTB SMT V/T MALE (HALOGEN FREE)

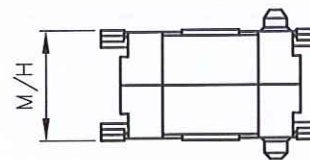
PIN NO.	A	B	C	D	E
10	8.2	3.2	5.5	4.7	7.2
12	9.0	4.0	6.3	5.5	8.0
14	9.8	4.8	7.1	6.3	8.8
16	10.6	5.6	7.9	7.1	9.6
18	11.4	6.4	8.7	7.9	10.4
20	12.2	7.2	9.5	8.7	11.2
22	13.0	8.0	10.3	9.5	12.0
24	13.8	8.8	11.1	10.3	12.8
26	14.6	9.6	11.9	11.1	13.6
28	15.4	10.4	12.7	11.9	14.4
30	16.2	11.2	13.5	12.7	15.2
40	20.2	15.2	17.5	16.7	19.2
50	24.2	19.2	21.5	20.7	23.2
60	28.2	23.2	25.5	24.7	27.2
70	32.2	27.2	29.5	28.7	31.2
80	36.2	31.2	33.5	32.7	35.2
90	40.2	35.2	37.5	36.7	39.2



RECOMMENDED PCB LAYOUT

ENTERY INDUSTRIAL CO., LTD.  
OCT - 2. 2015  
R&D D.C.C. ISSUED

M/H	MALE	FEMALE	G	H
3.0		01		
3.9		02		
4.2	01	03	1.45	2.30
5.5		0A		
6.0		06		
7.0		07		
	03	05	3.35	4.20
11.0	02	07	5.50	6.35



<b>CUSTOMER</b>		恩得利工業股份有限公司 ENTERY INDUSTRIAL CO., LTD.	
GENERAL TOLERANCE UNLESS OTHERWISE SPECIFIED X.X ±0.30 X.XX ±0.20 X.XXX ANG. ±0'30"		DRAWN Josh JUN-07-2006 CHECKED APPROVED SHEET 1/1	PART NO. △△△ 1133K-XXXX-01~03X TITLE: 0.8 BTB SMT V/T MALE
REVISIONS SER	REVISIONS CHK DATE	UNIT MM SCALE 5:1 SIZE A4 REV J	

REVISIONS	CHK	DATE
△ RE201509009	Ceres	08/18/15
△ RE201401007	JOSH	04/01/14
△ RE201111049	JIMMY	12/09/11
△ REN90321	HILL	03/30/09
△ RE081236	JUNO	01/07/09
△ RE081010	Joe	10/17/08