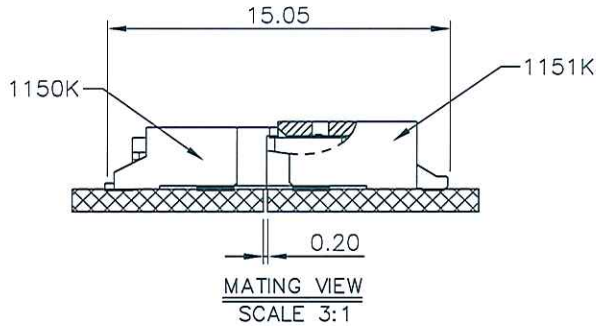
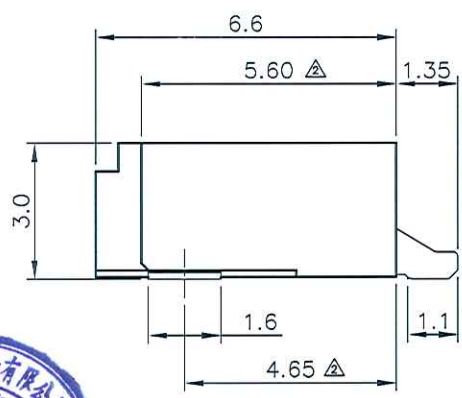
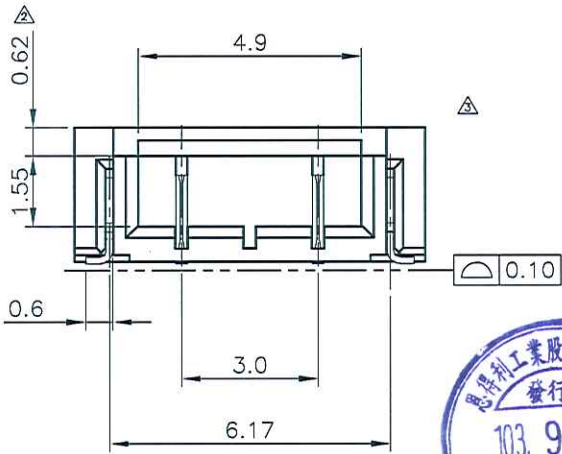
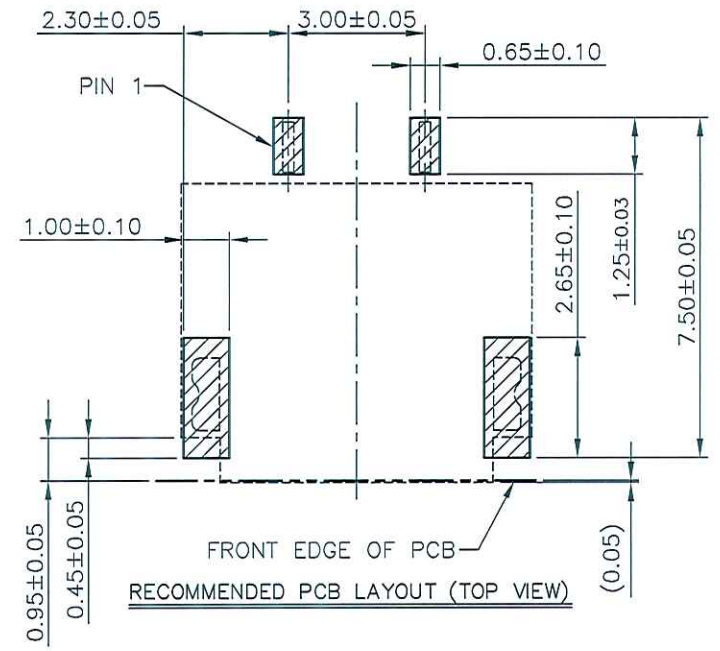
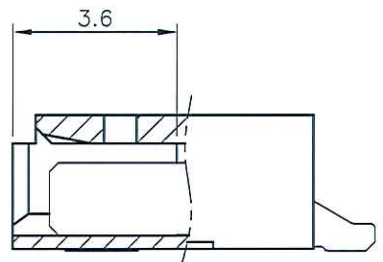
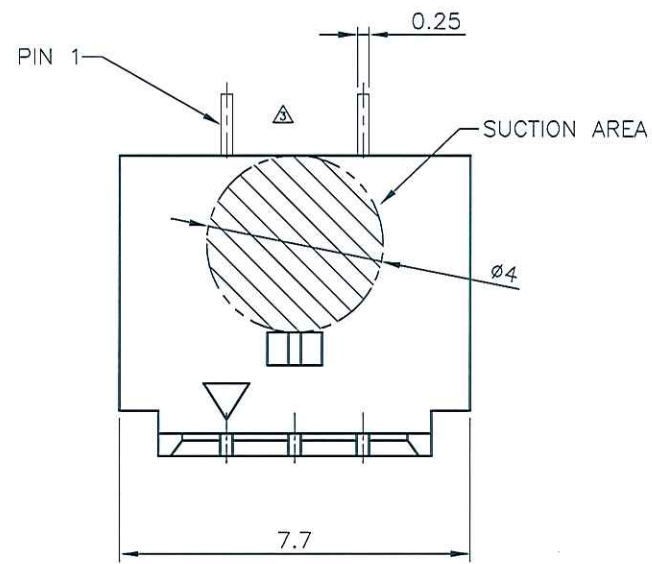
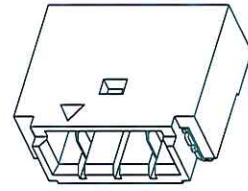


ENTERY INDUSTRIAL CO., LTD.
 SEP 25. 2014
 R&D D.C.C. ISSUED



NOTE:
 1.HOUSING:HIGH-TEMP THERMOPLASTIC,UL94V-0, NATURE.
 2.CONTACT:COPPER ALLOY, PLATING:MATTE-TIN.
 3.FITTING NAIL:BRASS. PLATING:MATTE-TIN.
 ORDER INFORMATION: 1151 K-X 02 F - 01 X
 PACKING:L:PAPER CARRIER
 E:TUBE
 TYPE:VOID PIN 2
 F:FITTING NAIL
 PIN
 Q:CONTACT MATTE-TIN
 FITTING NAIL MATTE-TIN
 HALOGEN-FREE MATERIALS
 1.5 BTB SMT R/A TYPE



CUSTOMER		恩得利工業股份有限公司 E & T ENTERY INDUSTRIAL CO., LTD.	
DRAWN Juno JUN-15-2012		PART NO. 1151K-X02F-01X	
CHECKED		TITLE: 1.5 PITCH BTB FEMALE SMT R/A TYPE	
APPROVED		SHEET 1/1	
UNIT MM	SCALE 6:1	SIZE A4	REV C

SER	REVISIONS	CHK	DATE
△	RE201409005	Juno	09/22/14
△	REN130502	Juno	05/03/13
△	RB120105	Juno	08/15/12

GENERAL TOLERANCE
 UNLESS OTHERWISE SPECIFIED
 X.X ±0.25
 X.XX ±0.13
 X.XXX
 ANG. ±2°