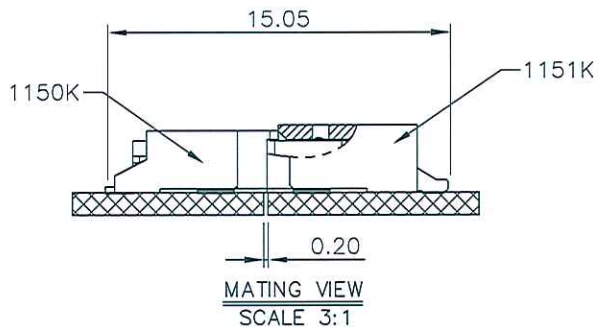
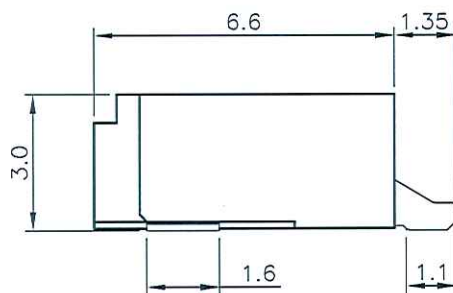
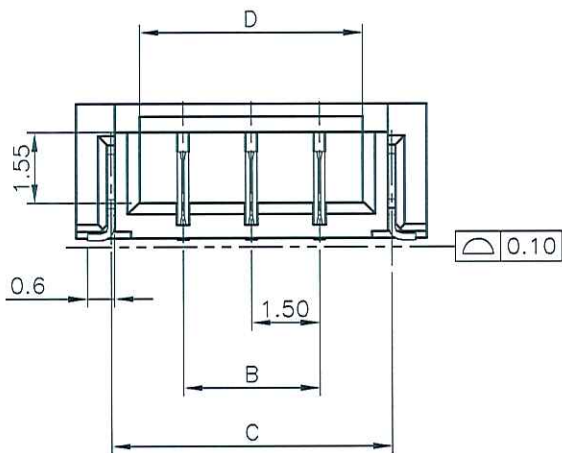
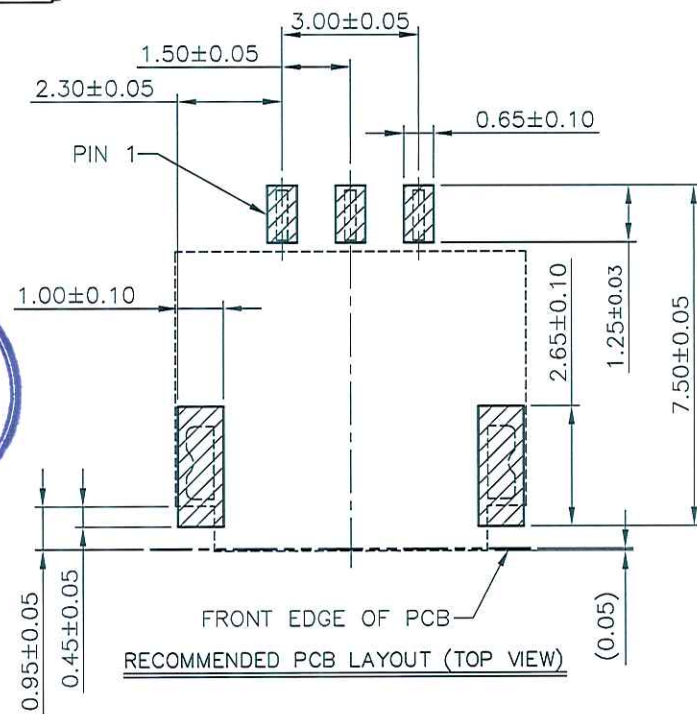
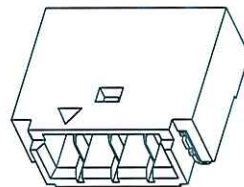
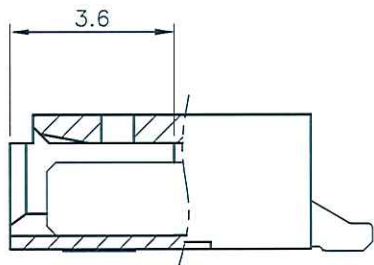
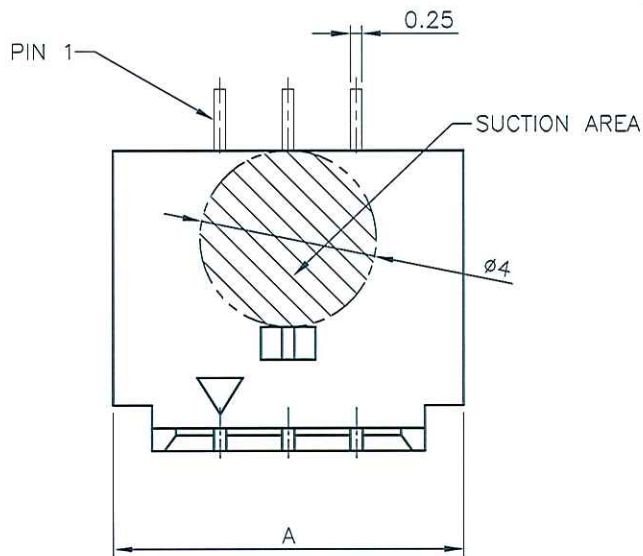


PIN NO.	A	B	C	D
3	7.7	3.0	6.17	4.90
4	9.2	4.5	7.67	6.40
5	10.7	6.0	9.17	7.90
6	12.2	7.5	10.67	9.40
7	13.7	9.0	12.17	10.90



NOTE:
 1. HOUSING: HIGH-TEMP THERMOPLASTIC, UL94V-0, NATURE.
 2. CONTACT: COPPER ALLOY, PLATING: MATTE-TIN.
 3. FITTING NAIL: BRASS. PLATING: MATTE-TIN.

ORDER INFORMATION: 1151 K-X XX F - 00 X
 PACKING: L: PAPER CARRIER TYPE
 E: TUBE
 F: FITTING NAIL
 PIN
 Q: CONTACT MATTE-TIN
 FITTING NAIL MATTE-TIN
 △F: CONTACT GOLD FLASH
 FITTING NAIL MATTE-TIN
 HALOGEN-FREE MATERIALS
 1.5 BTB SMT R/A TYPE



ENTERY INDUSTRIAL CO., LTD.
 SEP - 2. 2014
 R&D D.C.C. ISSUED

CUSTOMER		恩得利工業股份有限公司 E&T ENTERY INDUSTRIAL CO., LTD.	
DRAWN Juno JUN-15-2012		PART NO. 1151K-XXXF-00X	
OTHERWISE SPECIFIED X.X ±0.25 X.XX ±0.13 X.XXX ANG. ±2°		TITLE: 1.5 PITCH BTB FEMALE SMT R/A TYPE	
APPROVED [Signature]		SHEET 1/1	
UNIT MM		SCALE 6:1	
SIZE A4		REV B	

REVISIONS	REVISIONS	CHK	DATE
△	RE201407003	Juno	08/25/12'
△	RB120105	Juno	06/15/12'