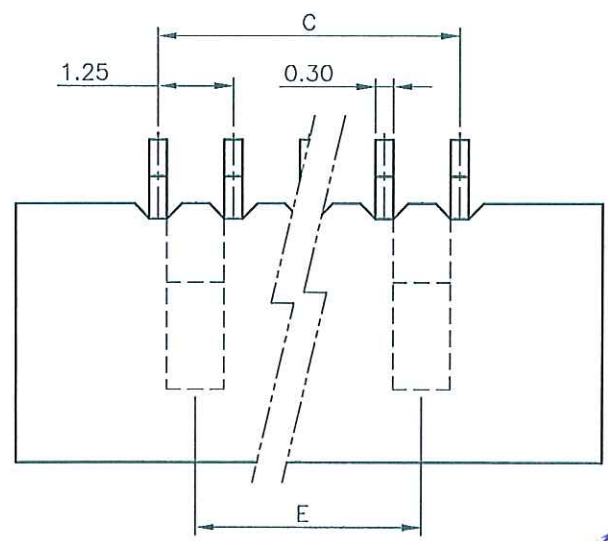


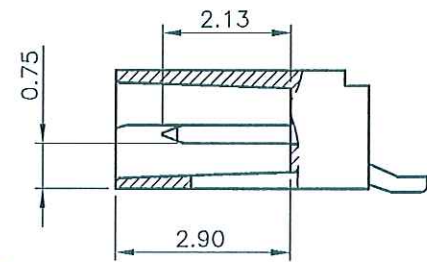
1 2 3 4 5 6 7 8 9 0

A
B
C
D
E
F
G
H
I
J



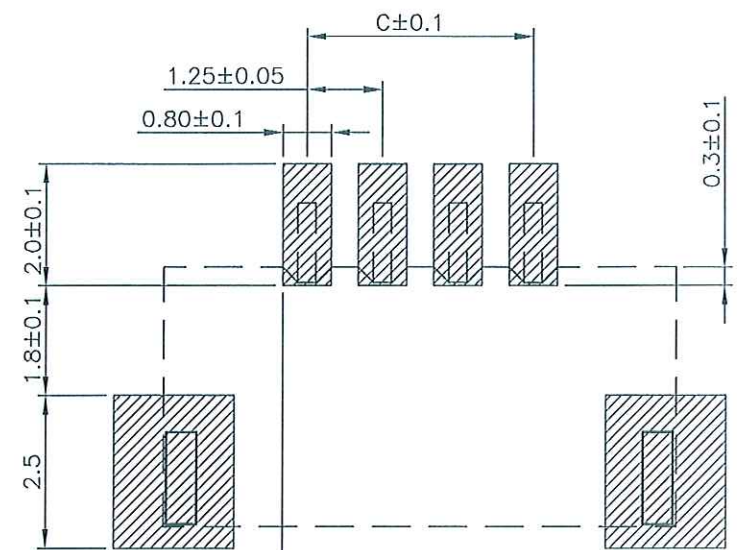
ENTERY INDUSTRIAL CO., LTD.
OCT 17, 2012
R&D D.C.C. ISSUED

NOTE: MATERIAL & FINISH
 1.HOUSING:HIGH TEMP THERMOPLST PLASTIC UL94V-0, BLACK.
 2.CONTACT:COPPER ALLOY PLATING:GLOD FLASH
 3.FITTING NAIL: COPPER ALLOY. PLATING:TIN.
 ORDER INFORMATION: 3800 K-X XX N - 05 X
 PIN TYPE STANDARD
 PACKING: L: PAPER CARRIER
 E: TUBE
 F: CONTACT GOLD, FITTING NAIL TIN
 Q: MATTE-TIN
 HALOGEN-FREE MATERIALS
 3800:1.25 WTB SMT R/A TYPE SINGLE ROW

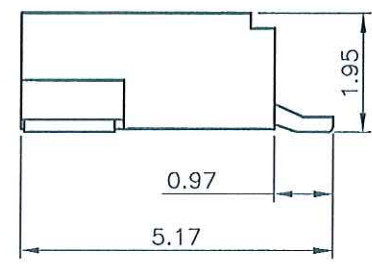
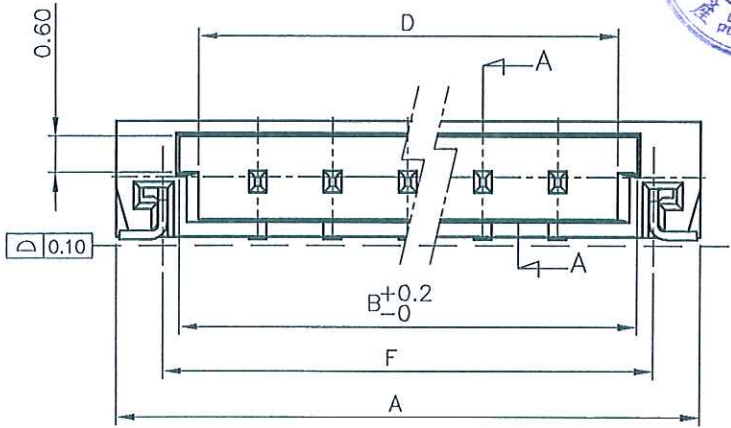


SECTION A-A

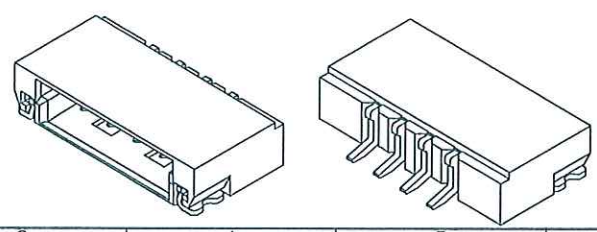
LOCKING WINDOW: TWO PLACE



P.C.B PATTERN DIMENSION



PIN NO.	A	B	C	D	E	F
04	8.50	6.40	3.75	5.75	2.50	6.95
05	9.75	7.65	5.00	7.00	3.75	8.20
06	11.00	8.90	6.25	8.25	5.00	9.45
07	12.25	10.15	7.50	9.50	6.25	10.70



CUSTOMER E&T 恩得利工業股份有限公司
 ENTERY INDUSTRIAL CO., LTD.

GENERAL TOLERANCE UNLESS OTHERWISE SPECIFIED
 X.X ±0.25
 X.XX ±0.13
 X.XXX ±0.05
 ANG. ±2°

DRAWN *Max* OCT-16-2012
 CHECKED
 APPROVED *[Signature]* 10/16/12
 SHEET 1/1

PART NO. 3800K-XXXN-05X
 TITLE: 1.25 WTB SMT R/A TYPE SINGLE ROW

UNIT	SCALE	SIZE	REV
MM	8:1	A4	A

REVISIONS	CHK	DATE
RB120502	MAX	10/16/12

1 2 3 4 5 6 7 8 9 0