

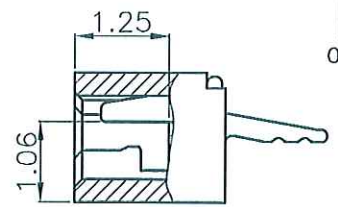
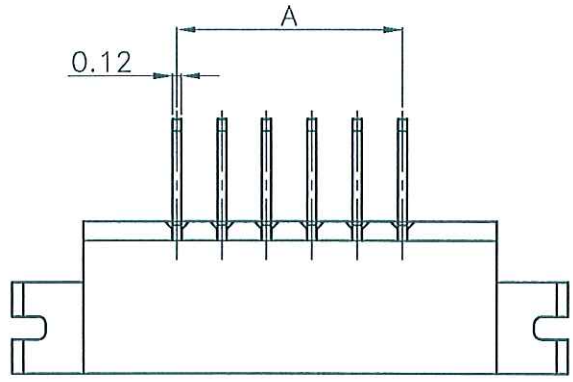
NOTE:

- 1. HOUSING: HIGH TEMP THERMOPLST PLASTIC UL94V-0, BLACK.
- 2. CONTACT: COPPER ALLOY. PLATING: MATTE-TIN.
- 3. FITTING NAIL: COPPER ALLOY. PLATING: MATTE-TIN.

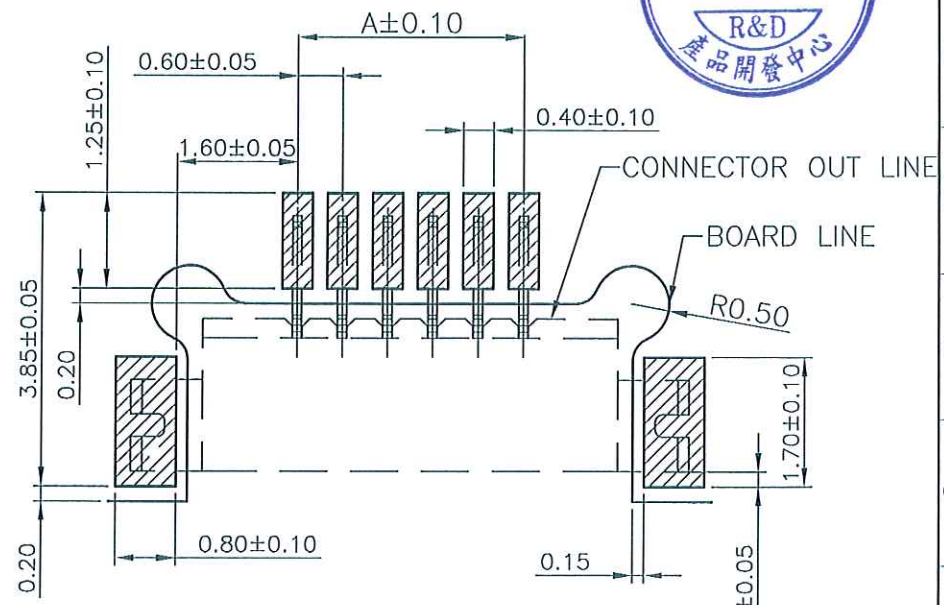
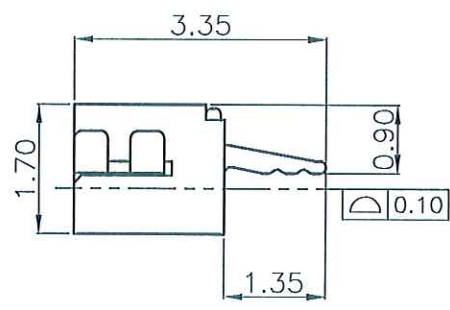
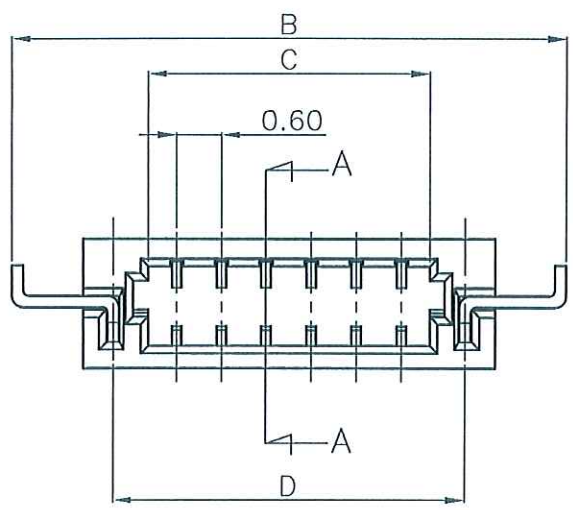
ORDER INFORMATION: 4251 K-Q XX N - 02 X

Q: CONTACT MATTE-TIN, FITTING NAIL MATTE-TIN  
 HALOGEN-FREE MATERIALS  
 0.6 WTB SMT R/A SUNK INTO THE BOARD TYPE SINGLE ROW  
 PACKING: R: PLASTIC CARRIER  
 E: TUBE  
 L: PAPER CARRIER  
 TYPE STANDARD  
 PIN

PIN NO.	A	B	C	D
2	0.60	5.00	1.36	2.30
3	1.20	5.60	1.96	2.90
4	1.80	6.20	2.56	3.50
5	2.40	6.80	3.16	4.10
6	3.00	7.40	3.76	4.70
7	3.60	8.00	4.36	5.30
8	4.20	8.60	4.96	5.90
9	4.80	9.20	5.56	6.50
10	5.40	9.80	6.16	7.10



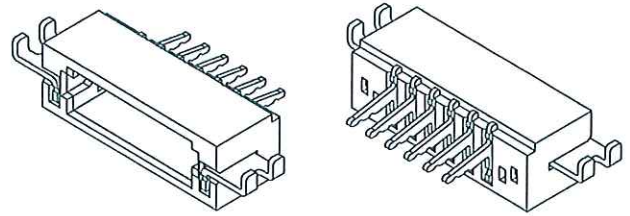
SECTION A-A



RECOMMENDED PCB LAYOUT



ENTERY INDUSTRIAL CO., LTD.  
 SEP 28. 2012  
 R&D D.C.C. ISSUED



CUSTOMER		恩得利工業股份有限公司 ENTERY INDUSTRIAL CO., LTD.	
GENERAL TOLERANCE UNLESS OTHERWISE SPECIFIED X.X ±0.25 X.XX ±0.13 X.XXX ±0.13 ANG. ±2°		DRAWN <i>Max</i> SEP-21-2012 CHECKED APPROVED SHEET 1/1	PART NO. 4251K-QXXN-02X TITLE: 0.6 WTB SMT R/A SUNK INTO THE BOARD TYPE SINGLE ROW
SER	REVISIONS	CHK	DATE

UNIT	SCALE	SIZE	REV
MM	10:1	A4	A