

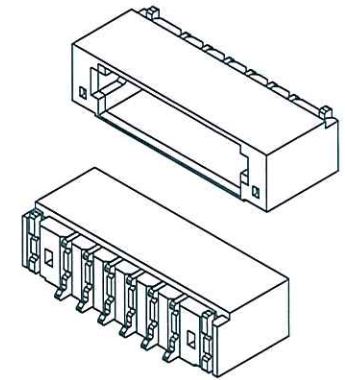
- NOTE:
- 1.INSULATOR:HIGH-TEMP THERMOPLASTIC UL94V-0
COLOR: BLACK
 - 2.CONTACT: COPPER ALLOY
PLATING:TIN OR MATTE-TIN OR GOLD FLASH
OVERALL NICKEL UNDER PLATED
 - 3.FITTING NAIL: COPPER ALLOY
PLATING:MATTE-TIN PLATED

ORDER INFORMATION: 4251K-X XX N - 01,41 X

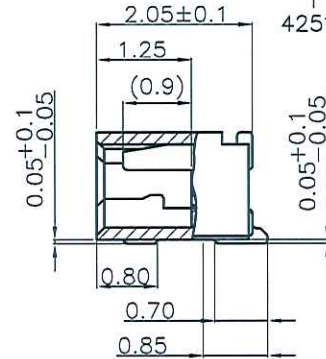
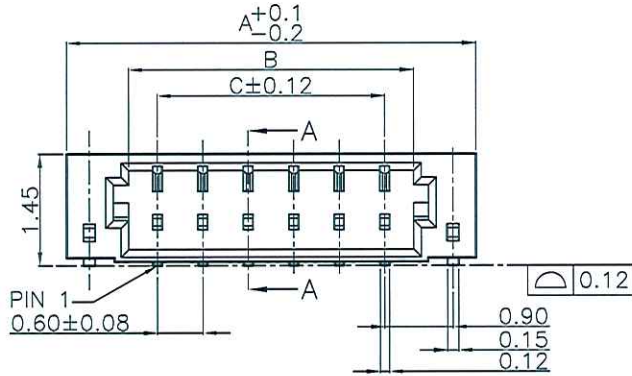
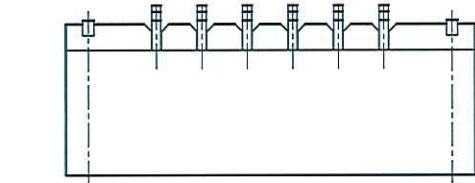
PACKING: E: TUBE
L: PAPER REEL

TYPE
01: STANDARD
Δ41: 12 PITCH CARRIER

STANDARD
PIN
E: TIN
Q: MATTE-TIN
F: CONTACT GOLD FLASH
FITTING NAIL TIN
4251K: 0.6 WTB SMT R/A TYPE SINGLE ROW
(HALOGEN FREE)



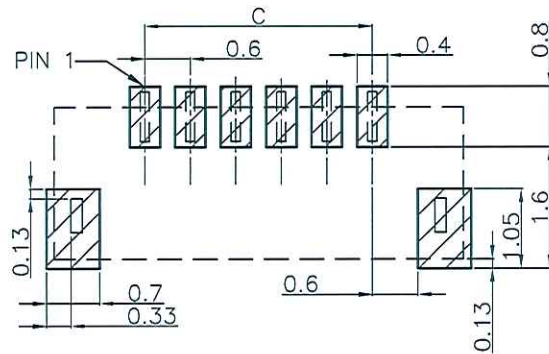
ENTERY INDUSTRIAL CO., LTD.
AUG 20, 2013
R&D D.C.C. ISSUED



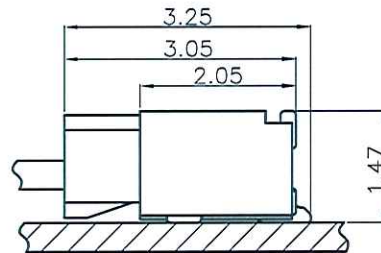
SECTION A-A



PIN NO.	A	B	C
2	3.00	1.36	0.60
3	3.60	1.96	1.20
4	4.20	2.56	1.80
5	4.80	3.16	2.40
6	5.40	3.76	3.00
7	6.00	4.36	3.60
8	6.60	4.96	4.20
9	7.20	5.56	4.80
10	7.80	6.16	5.40
11	8.40	6.76	6.00
12	9.00	7.36	6.60
13	9.60	7.96	7.20
14	10.20	8.56	7.80
15	10.80	9.16	8.40
16	11.40	9.76	9.00
17	12.00	10.36	9.60
18	12.60	10.96	10.20
19	13.20	11.56	10.80
20	13.80	12.16	11.40



RECOMMENDED PCB LAYOUT



ASSEMBLY LAYOUT

CUSTOMER: 恩得利工業股份有限公司
ENTERY INDUSTRIAL CO., LTD.

GENERAL TOLERANCE UNLESS OTHERWISE SPECIFIED
X.X ±0.25
X.XX ±0.15
X.XXX
ANG. ±2°

DRAWN: Max FEB-25-2011
CHECKED
APPROVED: [Signature] 2/2/13

PART NO.: 4251K-XXXN-01,41X
TITLE: 0.6 WTB SMT R/A TYPE SINGLE ROW

Δ	RE201307002	Juno	07/22/13
SER	REVISIONS	CHK	DATE

SHEET 1/1
UNIT: MM
SCALE: 10:1
SIZE: A4
REV: B