

NOTES: MATERIAL & FINISH

- HOUSING: HIGH THERMOPLASTIC, UL94V-0
COLOR: BLACK
- LOCK: HIGH THERMOPLASTIC, UL94V-0
COLOR: WHITE
- CONTACT: COPPER ALLOY
PLATING: GOLD FLASH OR TIN OVERALL NICKEL UNDER PLATED
- FITTING NAIL: COPPER ALLOY
PLATING: TIN PLATED

△△5.ORDER INFORMATION: 6905K-X XX N-07X

PACKING: E: TUBE
R: PLASTIC REEL
L: PAPER REEL △

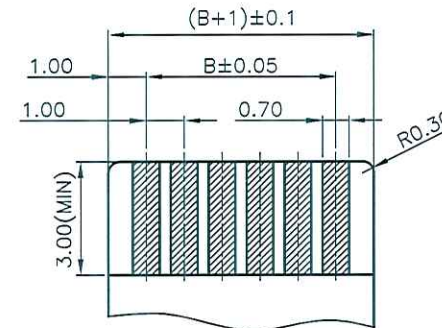
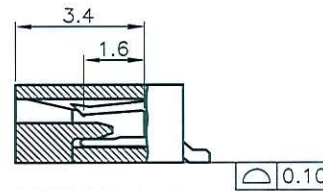
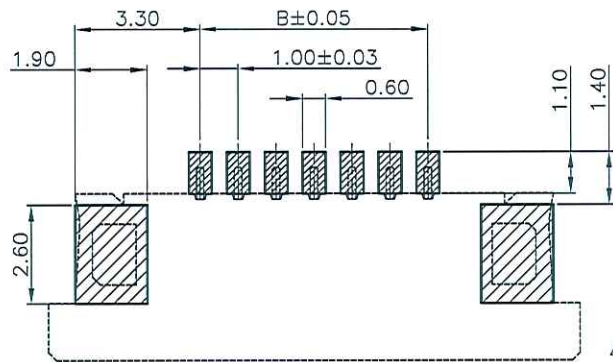
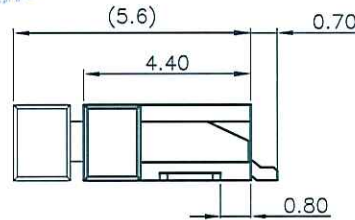
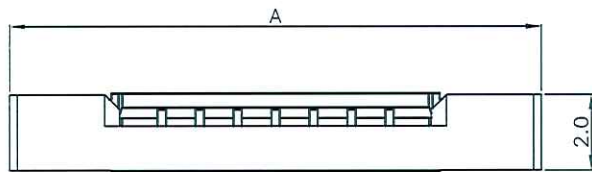
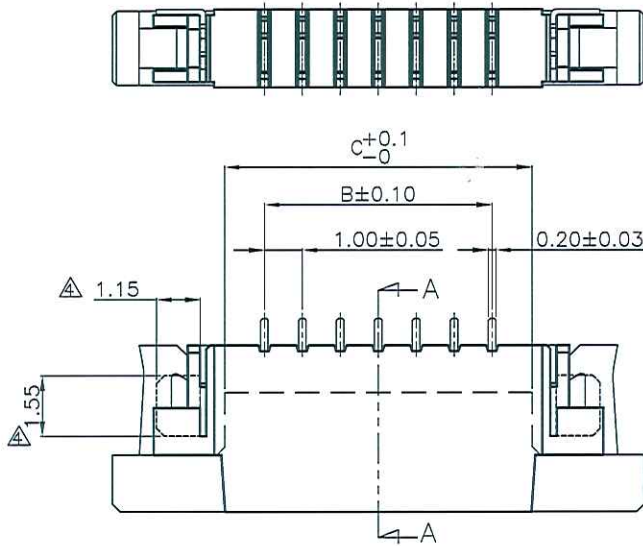
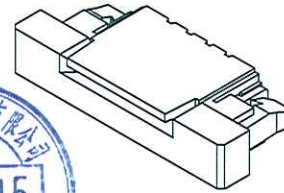
STANDARD
PIN

PLATING

E: TIN
F: CONTACT GOLD, FITTING NAIL TIN
Q: CONTACT MATTE-TIN
FITTING NAIL TIN

△ Y AND V: GOLD FLASH (WITH NICKEL BARRIER)

△6905K: 1.0 ZIF FPC SMT R/A TYPE TOP CONTACT (HALOGEN FREE)



RECOMMENDED APPLICABLE
FPC LAYOUT (THICKNESS: 0.3±0.03)

RECOMMENDED P.C.BOARD PATTERN DIM.(REF)

ENTERY INDUSTRIAL CO., LTD.
JAN 15, 2015
R&D D.C.C. ISSUED

REVISIONS	CHK	DATE
△ RE201210004	Jun0	01/07/15
△ REN141208	Jun0	12/25/14
△ RE201208014	JIMMY	12/19/12
△ REN100410	MAX	04/14/10
△ REN90923	MAX	09/22/09

CUSTOMER		恩得利工業股份有限公司 E&T ENTERY INDUSTRIAL CO., LTD.	
GENERAL TOLERANCE UNLESS OTHERWISE SPECIFIED	DRAWN Jun0 JAN-29-2008	PART NO. △△ 6905K-XXXN-07X	
X.X ±0.30	CHECKED	TITLE: 1.0 ZIF FPC SMT R/A TYPE TOP CONTACT	
X.XX ±0.20	APPROVED 2/15/15	SHEET 1/1	
X.XXX ANG. ±0.30'		UNIT MM	SCALE 5:1
		SIZE A4	REV F

PIN	A	B	C
04	11.0	3.0	5.1
05	12.0	4.0	6.1
06	13.0	5.0	7.1
07	14.0	6.0	8.1
08	15.0	7.0	9.1
09	16.0	8.0	10.1
10	17.0	9.0	11.1
11	18.0	10.0	12.1
12	19.0	11.0	13.1
13	20.0	12.0	14.1
14	21.0	13.0	15.1
15	22.0	14.0	16.1
16	23.0	15.0	17.1
17	24.0	16.0	18.1
18	25.0	17.0	19.1
19	26.0	18.0	20.1
20	27.0	19.0	21.1
21	28.0	20.0	22.1
22	29.0	21.0	23.1
23	30.0	22.0	24.1
24	31.0	23.0	25.1
25	32.0	24.0	26.1
26	33.0	25.0	27.1
27	34.0	26.0	28.1
28	35.0	27.0	29.1
29	36.0	28.0	30.1
30	37.0	29.0	31.1
31	38.0	30.0	32.1
32	39.0	31.0	33.1
33	40.0	32.0	34.1
34	41.0	33.0	35.1