

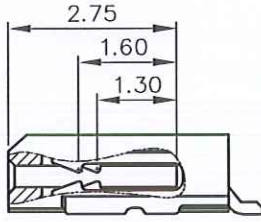
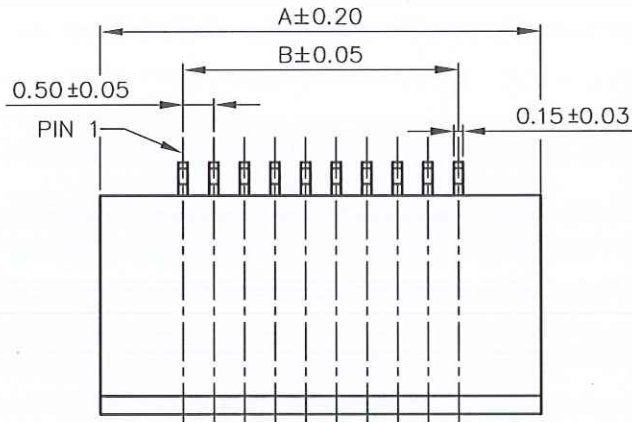
ENTERY INDUSTRIAL CO., LTD.  
 NOV 10. 2015  
 R&D D.C.C. ISSUED

NOTES: MATERIAL AND FINISH  
 1.INSULATOR:HIGH-TEMP THERMOPLASTIC, UL94V-0  
 COLOR:NATURE  
 2.CONTACT:COPPER ALLOY  
 PLATING:TIN OR MATTE-TIN OR GOLD FLASH PLATED  
 3.FITTING NAIL:COPPER ALLOY  
 PLATING:TIN PLATED  
 ORDER INFORMATION: 70B3K-X XX X-09,19 X

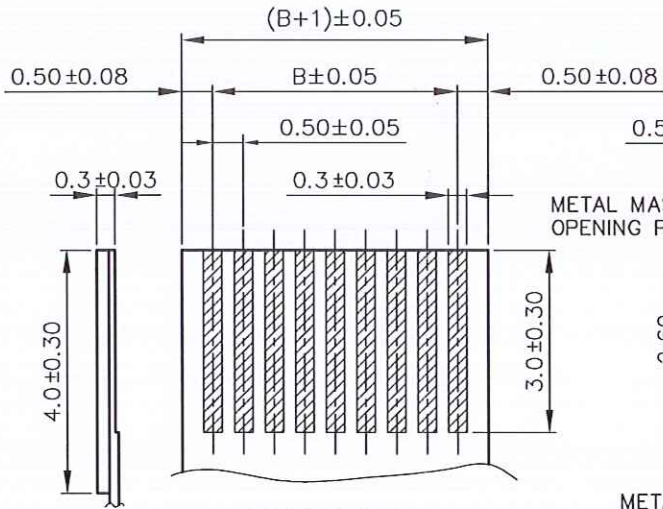
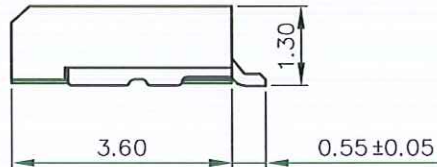
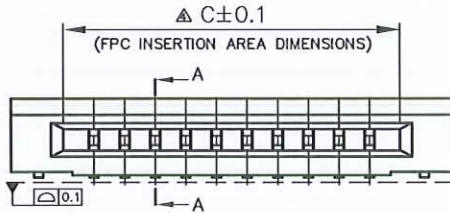


PACKING: E: TUBE  
 L: PAPER REEL  
 TYPE  
 09: CARRIER PITCH 8  
 19: CARRIER PITCH 12  
 N: STANDARD  
 Y: DATE CODE  
 PIN NO.  
 PLATING: Q: MATTE-TIN  
 E: TIN  
 F: GOLD FLASH  
 Y: GOLD FLASH (WITH NICKEL BARRIER)  
 ΔS: CONTACT AREA 3u"(MIN) GOLD  
 OTHER AREA GOLD FLASH  
 70B3K: 0.5 PITCH NON-ZIF FPC SMT R/A  
 (HALOGEN-FREE)

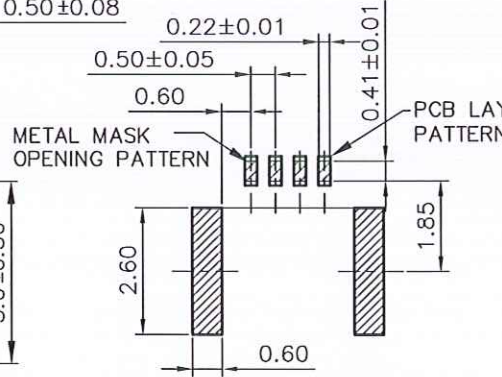
PIN NO.	ΔA	B	ΔC
4	4.20	1.50	2.55
5	4.70	2.00	3.05
6	5.20	2.50	3.55
7	5.70	3.00	4.05
8	6.20	3.50	4.55
9	6.70	4.00	5.05
10	7.20	4.50	5.55
11	7.70	5.00	6.05
12	8.20	5.50	6.55
13	8.70	6.00	7.05
14	9.20	6.50	7.55
15	9.70	7.00	8.05
16	10.20	7.50	8.55
17	10.70	8.00	9.05
18	11.20	8.50	9.55
19	11.70	9.00	10.05
20	12.20	9.50	10.55
21	12.70	10.00	11.05
22	13.20	10.50	11.55
23	13.70	11.00	12.05
24	14.20	11.50	12.55
25	14.70	12.00	13.05
26	15.20	12.50	13.55
27	15.70	13.00	14.05
28	16.20	13.50	14.55
29	16.70	14.00	15.05
30	17.20	14.50	15.55
31	17.70	15.00	16.05
32	18.20	15.50	16.55
33	18.70	16.00	17.05
34	19.20	16.50	17.55
35	19.70	17.00	18.05
36	20.20	17.50	18.55
37	20.70	18.00	19.05
38	21.20	18.50	19.55
39	21.70	19.00	20.05
40	22.20	19.50	20.55
41	22.70	20.00	21.05
42	23.20	20.50	21.55
43	23.70	21.00	22.05
44	24.20	21.50	22.55
45	24.70	22.00	23.05
46	25.20	22.50	23.55
47	25.70	23.00	24.05
48	26.20	23.50	24.55
49	26.70	24.00	25.05
50	27.20	24.50	25.55



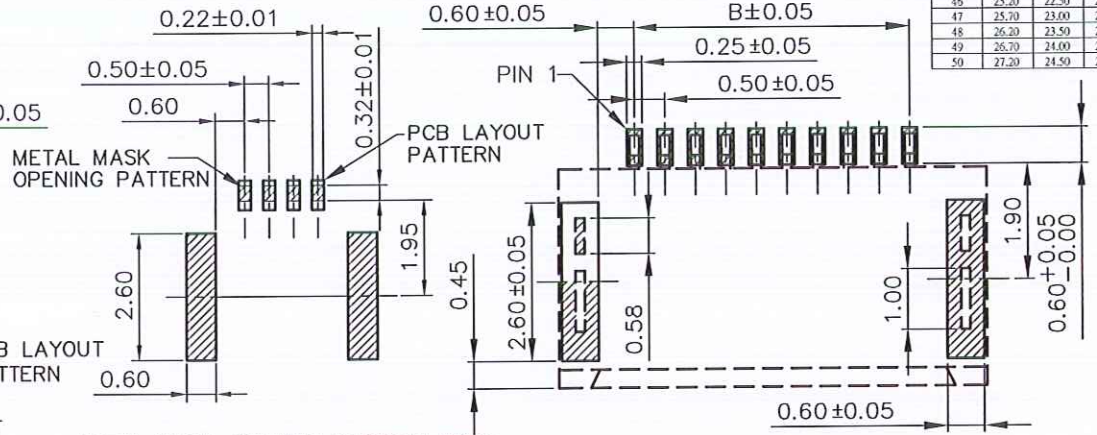
SECTION A-A



FPC/FFC SPEC



METAL MASK OPENING PATTERN SPEC  
 SCALE 8:1  
 METAL MASK THICKNESS: 0.12mm  
 CONTACT OPENING RATIO : 60%  
 FITTING NAIL OPENING RATIO : 100%



METAL MASK OPENING PATTERN SPEC

PATTERN DIM. SPEC  
 TOLERANCES ARE NOT ACCUMULATED

SCALE 8:1  
 METAL MASK THICKNESS: 0.15mm  
 CONTACT OPENING RATIO : 48%  
 FITTING NAIL OPENING RATIO : 100%

SER	REVISIONS	CHK	DATE
△	RE201509005	Juno	09/15/15
△	RE201509004	Juno	09/09/15
△	RE201301004	Juno	04/16/13
△	REN120307	JIMMY	03/06/12
△	RE201108012	JIMMY	08/10/11

CUSTOMER		恩得利工業股份有限公司 ENTERY INDUSTRIAL CO., LTD.	
GENERAL TOLERANCE UNLESS OTHERWISE SPECIFIED	DRAWN JIMMY AUG-10-2011	PART NO. 70B3K-XXXX-09,19X	
X.X ±0.25	CHECKED	TITLE : 0.5 PITCH NON-ZIF FPC SMT R/A	
X.XX ±0.13	APPROVED		
X.XXX ANG. ±1°	SHEET 1/1	UNIT MM	SCALE 8:1
		SIZE A4	REV E