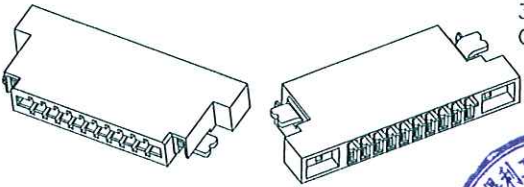
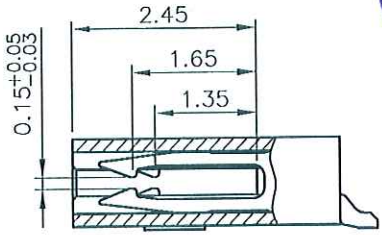


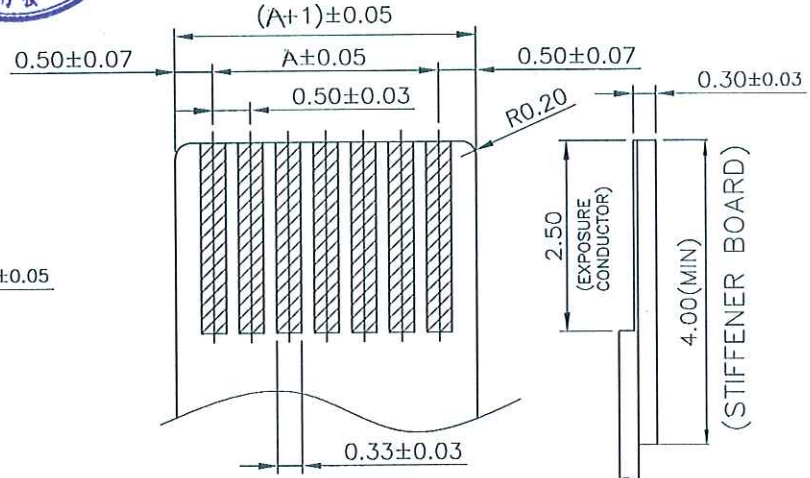
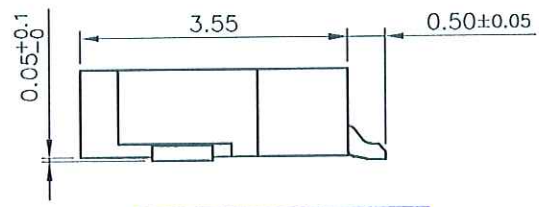
NOTE: MATERIAL & FINISH  
 1. HOUSING: HIGH TEMP THERMOPLST PLASTIC UL94V-0, NATURAL.  
 2. CONTACT: COPPER ALLOY PLATING: GLOD FLASH  
 3. FITTING NAIL: COPPER ALLOY PLATING: TIN.  
 ORDER INFORMATION: 7084 K-Y XX N - 00 X  
 PACKING: L: PAPER CARRIER  
 TYPE R: PLASTIC CARRIER  
 E: TUBE  
 STANDARD  
 PIN  
 Y: GOLD FLASH ON CONTACT AND SOLDER AREA  
 HALOGEN-FREE MATERIALS  
 0.5 NON-ZIF SMT R/A DUAL CONTACT



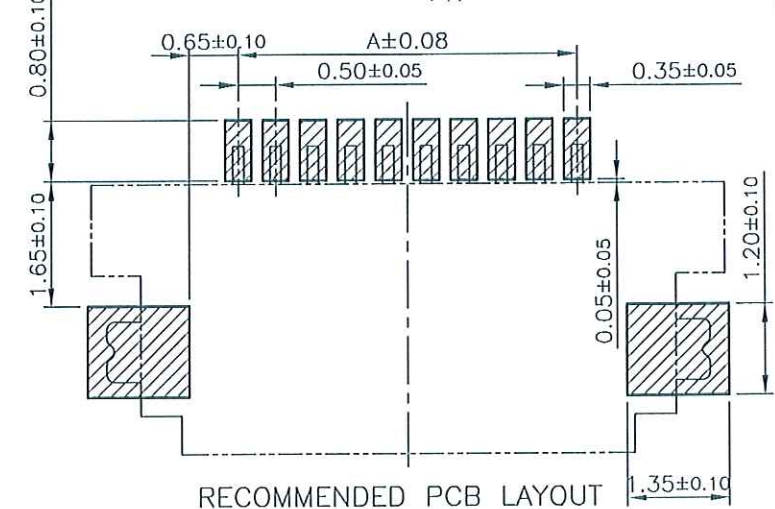
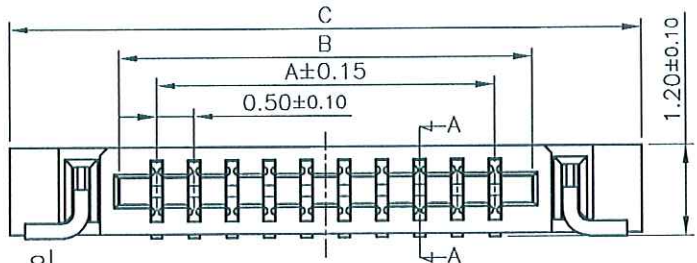
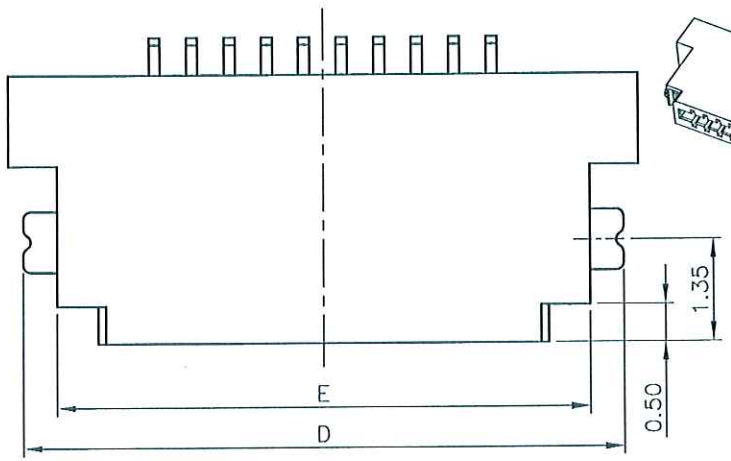
3D VIEW(REFERENCE)



SECTION A-A



△ FPC/FFC DIMENSIONS



RECOMMENDED PCB LAYOUT

TOP VIEW

ENTERY INDUSTRIAL CO., LTD.  
 JUN 21 2012  
 R&D D.C.C. ISSUED

PIN	A	B	C	D	E
5	2.00	3.03	5.90	5.50	4.60
6	2.50	3.53	6.40	6.00	5.10
7	3.00	4.03	6.90	6.50	5.60
8	3.50	4.53	7.40	7.00	6.10
10	4.50	5.53	8.40	8.00	7.10

CUSTOMER	恩得利工業股份有限公司 ENTERY INDUSTRIAL CO., LTD.	
	DRAWN KAZ Sep-07-2011 CHECKED APPROVED SHEET 1/1	PART NO. 7084K-YXXN-00X TITLE: 0.5 NON-ZIF SMT R/A DUAL CONTACT
GENERAL TOLERANCE UNLESS OTHERWISE SPECIFIED X.X ±0.25 X.XX ±0.13 X.XXX ±2° ANG. ±2°	REVISIONS RE201208008 JIMMY 08/19/12 SER CHK DATE	UNIT MM SCALE 10:1 SIZE A4 REV B