

NOTES: MATERIAL & FINISH

1.INSULATOR:HIGH-TEMP THERMOPLASTIC, UL94V-0
COLOR: BLACK

△2.CONTACT: COPPER ALLOY: t=0.25
PLATING: TIN OR MATTE-TIN PLATED

△3.FITTING NAIL: COPPER ALLOY(t=0.3)
PLATING: TIN PLATED

△△4.ORDER INFORMATION: 7151K-X 04 N-01X

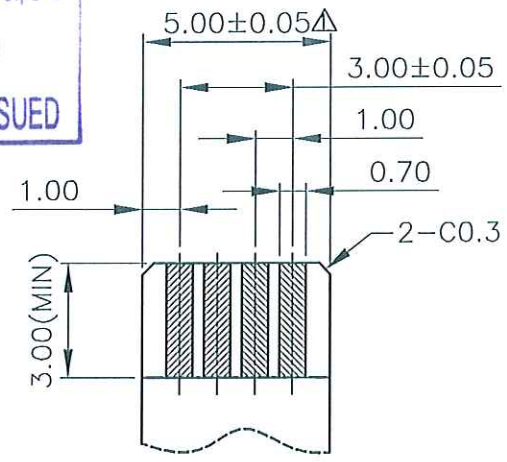
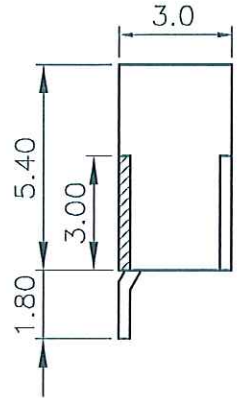
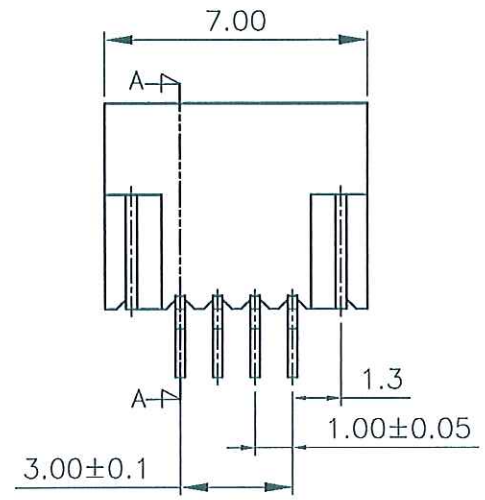
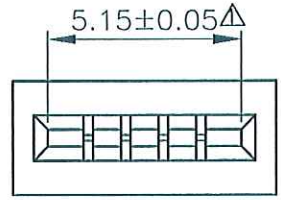
PACKING: E: TUBE
R: CARRIER REEL
L: PAPER REEL

△ PLATING: E: TIN
Q: MATTE-TIN

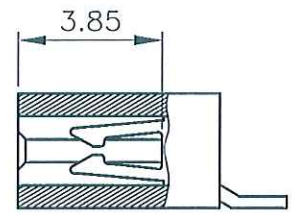
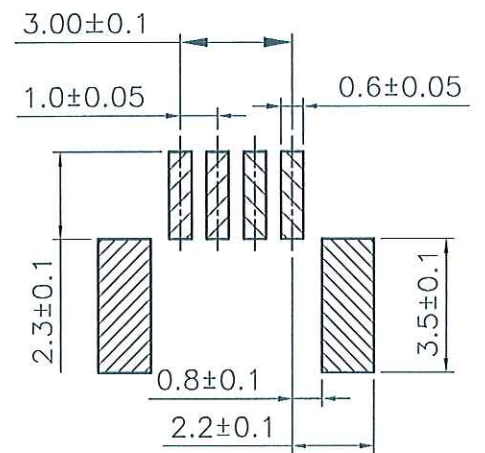
7151K:1.0 NON/ZIF FPC SMT R/A(HALOGEN-FREE)



ENTRY INDUSTRIAL CO., LTD.
JAN 10. 2013
R&D D.C.C. ISSUED



RECOMMENDED APPLICABLE
FPC LAYOUT (THICKNESS: 0.3±0.03)



SECTION A-A

RECOMMENDED PATTERN DIM. (REF.)

CUSTOMER		恩得利工業股份有限公司 ENTRY INDUSTRIAL CO., LTD.	
GENERAL TOLERANCE UNLESS OTHERWISE SPECIFIED X.X ±0.30 X.XX ±0.20 X.XXX ±0.10 ANG. ±0°30'		DRAWN Joan AUG-26-2005	PART NO. △△ 7151K-X04N-01X
CHECKED APPROVED SHEET 1/1		TITLE: 1.0 NON/ZIF FPC SMT R/A	
SER	REVISIONS	CHK	DATE

△	RE201206014	JIMMY	12/21/12
△	RE201210002	JIMMY	07/29/11
△	REN110720	JIMMY	12/02/10
△	REN101201	Joan	05/25/08
△	RE060550	Joan	05/25/08