

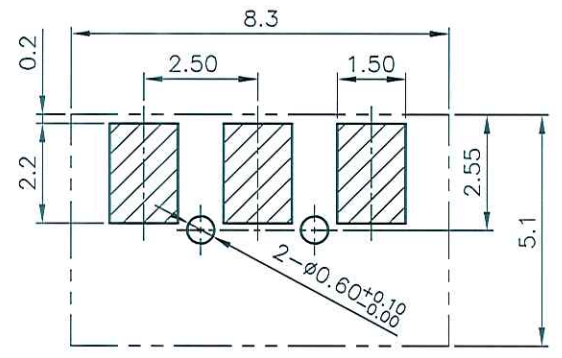
NOTES: MATERIAL & FINISH
 1. HOUSING: HIGH-TEMPERATURE UL94V-0 COLOR: BLACK
 2. COVER: STAINLESS
 3. CONTACT: COPPER ALLOY
 PLATING: CONTACT AREA 30u" GOLD
 SOLDER AREA 100u" TIN or GOLD FLASH
 OTHER AREA GOLD FLASH,
 OVERALL 50u" NICKEL UNDER PLATED.

ENTERY INDUSTRIAL CO., LTD.
 JUN 22 2015
 R&D D.C.C. ISSUED

恩得利工業股份有限公司
 E&T
 2015.6.22
 R&D
 行

SER	REVISIONS	CHK	DATE
△	RE201401007	CERES	06/18/15'
△	RE201206014 RE201210002	JIMMY	10/23/12'
△	RE201104021	JIMMY	05/25/11'
△	RE081020	JOE	10/28/08'

△△ORDER INFORMATION: 8950K-X 03 N-00,20 X
 PACKING: R: PLASTIC REEL
 △L: PAPER REEL
 TYPE: 00 (POST)
 △20 (NO POST)
 STANDARD
 PIN NO.
 PLATING:
 P: CONTACT 30u" GOLD
 SOLDER AREA 100u" TIN
 △S: CONTACT 30u" GOLD
 △SOLDER AREA GOLD FLASH
 2.5 PITCH BATTERY CONNECTOR (HALOGEN FREE)



RECOMMENDED PCB LAYOUT

CUSTOMER		恩得利工業股份有限公司 ENTERY INDUSTRIAL CO., LTD.	
GENERAL TOLERANCE UNLESS OTHERWISE SPECIFIED	DRAWN Allen NOV-26-2004	PART NO. △△	8950K-X03N-00,20X
△ X.X ±0.25	CHECKED	TITLE:	BATT 1
△ X.XX ±0.13	APPROVED		
△ X.XXX ±2°	ANG.		
SHEET 1/1	UNIT MM	SCALE 8:1	SIZE A4
		REV E	